

## DEW POINT SWITCH

Pipe or Surface mount early-warning switch for dew point or condensation monitoring



### FEATURES

- Warns of dew point before it is reached
- Compact and high-airflow design
- Ability to be mounted on pipe with equipped strap or directly to flat surface
- Coated electronics for dust and moisture protection
- Status LED indicator
- CE & RoHS compliant
- 5 year limited warranty
- Made in the USA

### GENERAL INFORMATION

High quality dew point switch that sends early-warning signal before dew point is reached which can be used to control condensation in critical environments. This is achieved by a quick and accurate response in monitoring relative humidity in combination with temperature.

Status LED light indicates condensation warning as 90% threshold is reached, as well as potential electronic failure with the device.

The sturdy housing is well ventilated, coupled with a thermally conductive aluminum alloy contact surface contact making it suitable for a variety of applications. This product is designed for mounting directly on a pipe with a flexible strap included, or to a directly to a flat surface via the screw mounting holes.

### SPECIFICATIONS

#### General:

Supply Voltage:	24V DC/AC $\pm 20\%$
Power Consumption:	10mA for 24VAC; 6mA for 24VDC
Operating Range:	0...+50°C / 32...+122°F ; 0...100%RH non-condensing
Enclosure Rating:	IP40
Dust Protection:	by special coating (permeable for water vapor)
Enclosure Material:	PC/ABS UL 94 V-0, UV resistant injection-molded
Mounting:	surface, duct or strap
Connection:	5-pole spring connector, AWG 30—16 / 0.2—1.5mm <sup>2</sup>
Weight:	~ 60 g
Storage Temperature	-20...+70 °C (-4...+158 °F)
Storage Humidity:	10...100% RH

## SPECIFICATIONS CONT.

### Switch-points:

RH > 90% ± 3%: Open on clamp DRY, Closed on clamp WET

RH < 90% ± 3%: Closed on clamp DRY, Open on clamp WET

Switching hysteresis: 5% RH  
Output: potential-free relay with changeover contact  
Switching voltage: 24V AC/DC  
Switching current: max. 1A  
Temp Response time: < 3 min  
RH Response time: < 25 s

### Status indication:

LED, red

ON: NO CONDENSATION  
FLASHING: CONDENSATION DANGER  
OFF: POWER OFF / FAILURE

### Accessories:

2 mounting screws, TPE stretch tie-wrap

### Approval:

CE & RoHS compliant

### Warranty:

5 year limited warranty

## ORDERING INFORMATION:

THHSDPS0

## MOUNTING & DIMENSIONS (mm)

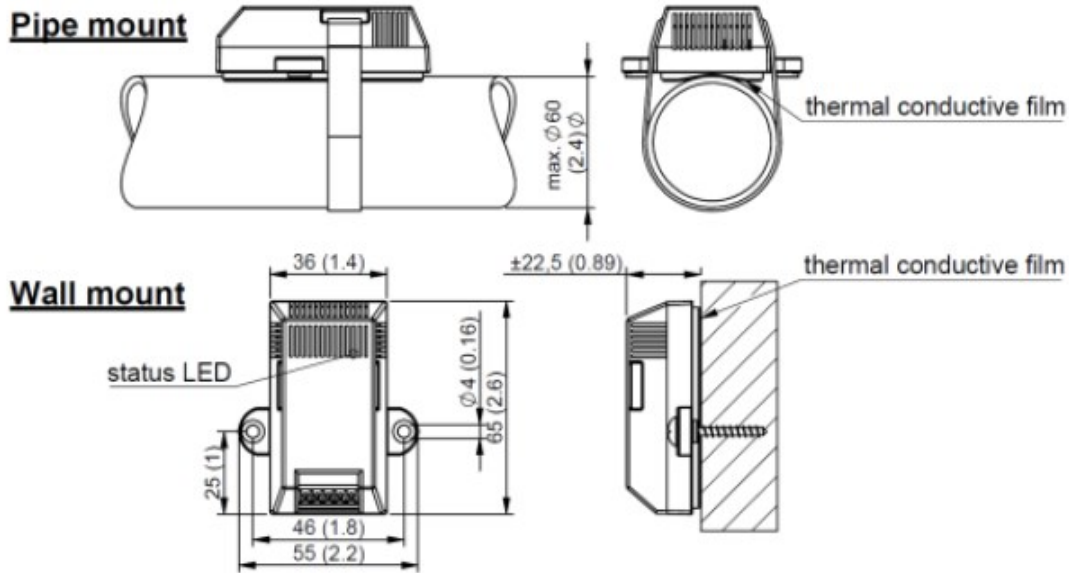


Fig. 1 Mounting and dimensions in mm (inch)

## WIRING

\*RELAY STATUS FOR POWER ON AND RH < 90%  
RELAY FALLS TO 'WET' FOR POWER OFF OR RH > 90%

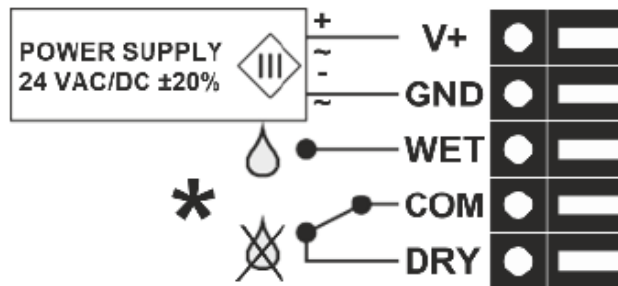


Fig. 2 connection diagram

## SWITCH FUNCTION

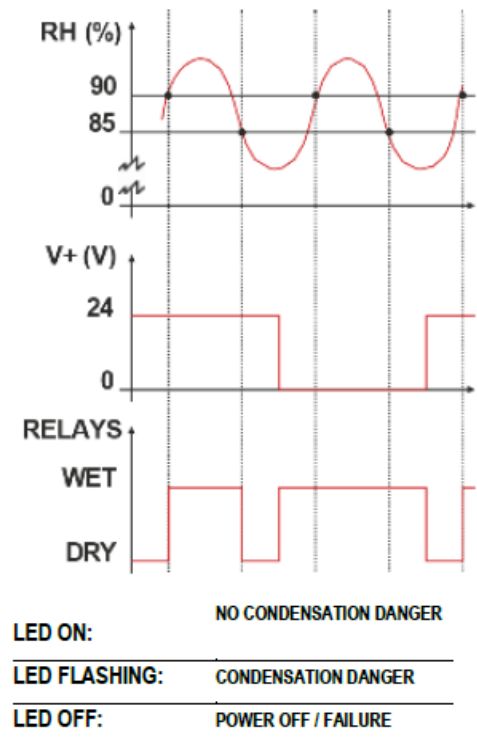


Fig. 3 Switching and Status

Tasseron Sensors Inc.  
140 Choate Circle  
Montoursville, PA 17754  
Tel: +1 (570) 601-1971  
Fax: +1 (570) 601-1972  
Email: sales@tasseronusa.com