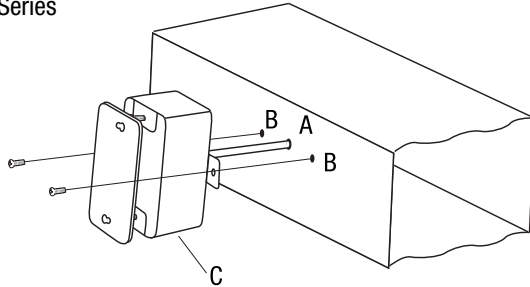


QwikSeries™ Installation Instructions

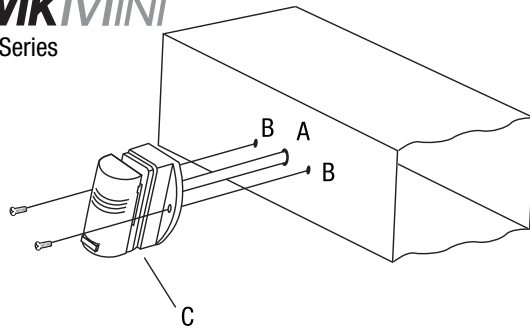
Read entire instructions before you begin installation. Do not apply power to the system before checking all wiring connections first. Improperly connected wires can damage equipment. Make all wiring connections in accordance with local, national and regional regulations. Contact Tasseron Sensors and Controls to locate your nearest QwikSeries distributor. QwikSeries products and Tasseron Sensors are registered trademarks of Tasseron Sensors Inc. Assembled in USA.

QwikBox™ THG-Series



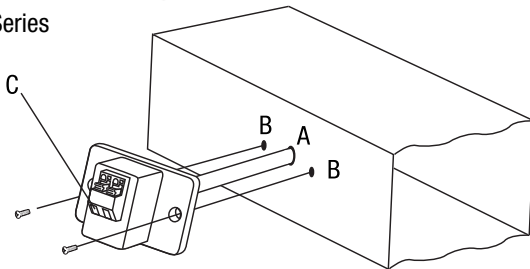
- 1) Drill a 1/4" hole in the middle of the duct away from temperature stratified air, coils or humidifiers. Insert the probe into the duct (A).
- 2) Drill two 1/8" pilot holes through the holes in mounting flange (B). Use two #8 screws and securely fasten the QwikBox™ to the duct. Do not over tighten. We recommend mounting QwikBox™ with the cable inlet facing down.
- 3) Run control wires through cable inlet (C) and attach wires to the quick connects. The connections are both non-polarity and non-position sensitive. Attach cover to box, tighten screws.

QwikMini™ THP-Series



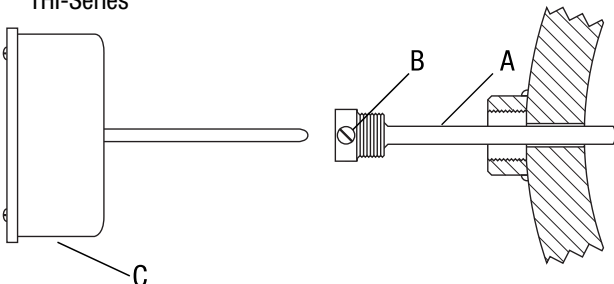
- 1) Drill a 1/4" hole in the middle of the duct away from temperature stratified air, coils or humidifiers. Insert the probe into the duct (A).
- 2) Drill two 1/8" pilot holes through the holes in the mounting flange (B). Use two #8 screws and securely fasten the QwikMini™ to the duct. Do not over tighten. We recommend mounting QwikMini™ with the cable inlet facing down.
- 3) Make a small hole in the black rubber grommet located in the cable inlet, and run control wires through cable inlet (C). Attach wires to quick connects. The connections are both non-polarity and non-position sensitive. Snap white cover onto black housing.

QwikFLANGE™ THF-Series



- 1) Drill a 1/4" hole in the middle of the duct away from temperature stratified air, coils or humidifiers. Insert the probe into the duct (A).
- 2) Drill two 1/8" pilot holes through the holes in the mounting flange (B). Use two #8 screws and securely fasten the QwikFlange™ to the duct. Do not over tighten. We recommend mounting QwikFlange™ to the duct with the wire inlets facing down.
- 3) Attach control wires to the quick connects (C). The connections are both non-polarity and non-position sensitive.

QwikIMMERSION™ THI-Series



- 1) Insert thermal well (A) into pipe nipple using teflon tape or pipe dope. Tighten securely, do not over tighten.
- 2) Inject Tasseron Thermal Paste into well.
- 3) Insert temperature probe into thermal well. Tighten set screw in head of thermal well until it is snug against the temperature probe (B). Do not over tighten.
- 4) Run control wires through the cable inlet hole (C) and attach wires to the quick connect. The connections are both non-polarity and non-position sensitive. Attach cover to box, tighten screws.

TASSERON™
SENSORS & CONTROLS

2401 Reach Road • Williamsport, Pa. 17701 • T: 570-601-1971 • F: 570-601-1972
www.tasseronusa.com • sales@tasseronusa.com