



Duct Temperature Sensor Plastic Enclosure

Features:

- Rugged injection-molded enclosure with Qwik Snap Cover
- Available in 4" / 6" / 8" / 12" / 18" lengths
- AISI 316L stainless steel temperature probe
- Small lightweight design
- Patent Pending Qwik Connect System eliminates wire nuts
- Installed anti-vibration pad on flange
- NTC thermistors and RTD elements available
- Compatible with any Control System
- Optional 1/2" NPT conduit adapter
- CE & RoHS compliant
- 5 Year Limited Warranty
- Assembled in USA



Description:

High quality universal Duct Temperature Sensor with injection-molded plastic enclosure and stainless steel AISI 316L probe provides a cost-effective solution for both commercial and industrial applications.

Available measuring elements interface with all major control manufacturers. Accurate interchangeable thermistors and RTD's ensure low drift and are double encapsulated to guarantee the highest reliability.

The installed, high quality, closed cell foam ensures sealing of the probe insert and absorption of vibration. The Qwik Snap Cover and patent pending Qwik Connect System make installation easy and reduce installation costs.





Specifications:

- Enclosure:** IP54, injection-molded 30% glass-filled nylon
- Cover:** Qwik Snap, injection-molded polycarbonate
- Mounting:** Two integrated # 8 mounting holes
- Probe Length:** 4" / 6" / 8" / 12" / 18"
- Probe Material:** 6mm ($\pm 1/4"$) AISI 316L stainless steel

- Connection:** 2-pole AWG 22-16 / 0.35 - 1.5mm² spring-loaded, Patent Pending Qwik Connect System

- Sensor Element:** Interchangeable NTC thermistor, 2-wire
RTD Pt1000, 2-wire

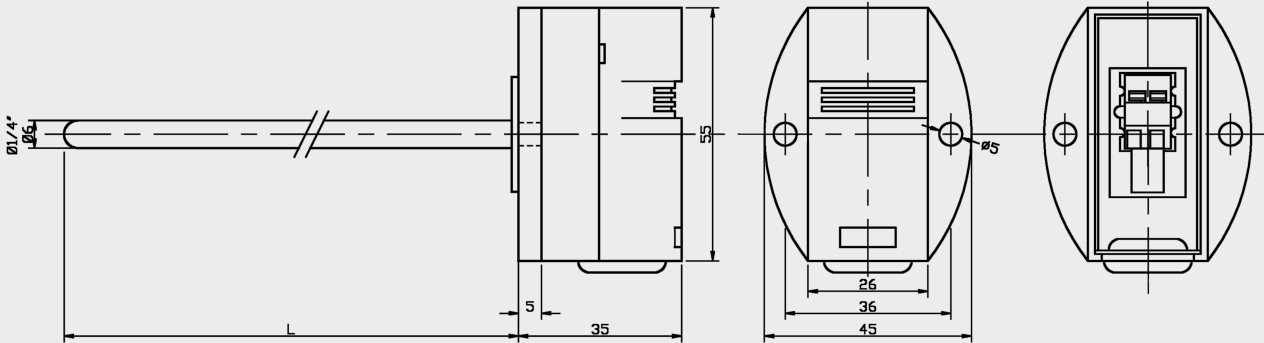
- Sensor Value:** NTC 10KOhm type 2 @ 25°C / 77°F
NTC 10KOhm type 3 @ 25°C / 77°F
NTC 20KOhm @ 25°C / 77°F
NTC 3KOhm @ 25°C / 77°F
RTD Pt1000 10000hm @ 0°C / 32°F
(Other elements on request)

- Accuracy:** NTC thermistor 0...70°C $\pm 0.2^\circ\text{C}$ / 32...158°F $\pm 0.36^\circ\text{F}$
Pt1000 Class B IEC751, $\pm 0.3^\circ\text{C}$ / $\pm 0.5^\circ\text{F}$ @ 0°C / 32°F

- Range:** -40...105°C / -40...221°F

- Approval:** CE & RoHS compliant
- Warranty:** 5 year limited warranty
- Accessories:** 1/2" NPT conduit adapter

Dimensions (in mm)



QwikMini
Ordering Guide

Part #	NTC 10K type 2
THPA040	Qwik Mini NTC 10K type 2 - 4"
THPA060	Qwik Mini NTC 10K type 2 - 6"
THPA080	Qwik Mini NTC 10K type 2 - 8"
THPA120	Qwik Mini NTC 10K type 2 - 12"
THPA180	Qwik Mini NTC 10K type 2 - 18"

Part #	NTC 3K
THPD040	Qwik Mini NTC 3K - 4"
THPD060	Qwik Mini NTC 3K - 6"
THPD080	Qwik Mini NTC 3K - 8"
THPD120	Qwik Mini NTC 3K - 12"
THPD180	Qwik Mini NTC 3K - 18"

Part #	NTC 10K type 3
THPB040	Qwik Mini NTC 10K type 3 - 4"
THPB060	Qwik Mini NTC 10K type 3 - 6"
THPB080	Qwik Mini NTC 10K type 3 - 8"
THPB120	Qwik Mini NTC 10K type 3 - 12"
THPB180	Qwik Mini NTC 10K type 3 - 18"

Part #	Pt1000/B
THPE040	Qwik Mini Pt1000 - 4"
THPE080	Qwik Mini Pt1000 - 6"
THPE080	Qwik Mini Pt1000 - 8"
THPE120	Qwik Mini Pt1000 - 12"
THPE180	Qwik Mini Pt1000 - 18"

Part #	NTC 20K
THPC040	Qwik Mini NTC 20K - 4"
THPC060	Qwik Mini NTC 20K - 6"
THPC080	Qwik Mini NTC 20K - 8"
THPC120	Qwik Mini NTC 20K - 12"
THPC180	Qwik Mini NTC 20K - 18"

