

QwikFLANGE™

Duct / VAV Temperature Sensor

Features:

- Rugged injection-molded plastic mounting flange
- Available in 4" / 6" / 8" / 12" / 18" lengths
- AISI 316L stainless steel temperature probe
- Patent Pending Qwik Connect System eliminates wire nuts
- Installed anti-vibration pad on flange
- VAV option with 6', 9' or 12' plenum rated AWG 22 cable with ¼" connectors available
- NTC thermistors and RTD elements available
- Compatible with any Control System
- CE & RoHS compliant
- 5 Year Limited Warranty
- Assembled in USA



Description:

High quality universal Duct Temperature Sensor with injection-molded plastic flange and stainless steel AISI 316L probe provides a low-cost solution for both commercial and industrial applications where a sensor enclosure is not required.

Available measuring elements interface with all major control manufacturers. Accurate interchangeable thermistors and RTD's ensure low drift and are double encapsulated to guarantee the highest reliability.

The installed, high quality, closed cell foam ensures sealing of the probe insert and absorption of vibration. The patent pending Qwik Connect System makes installation easy and reduces installation costs.

A VAV-version with plenum rated cable and connectors is available.

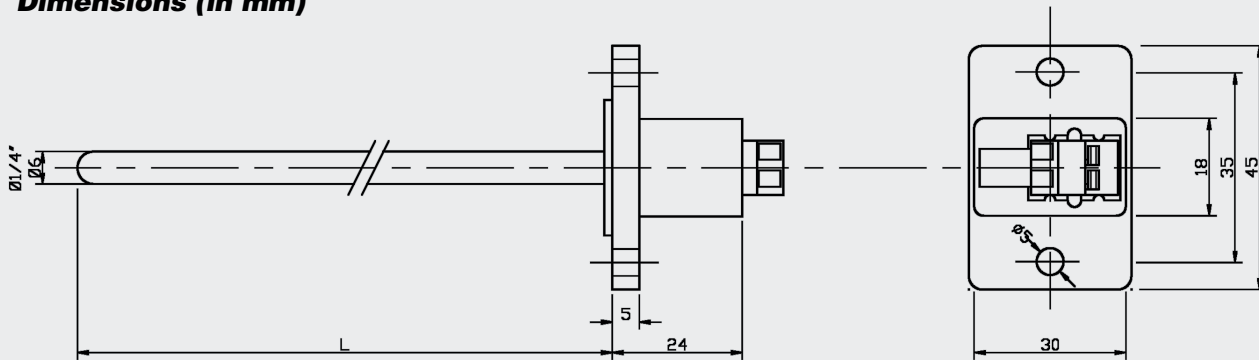




Specifications:

- Mounting:** Injection-molded 30% glass-filled nylon flange with two integrated # 8 mounting holes
- Probe Length:** 4" / 6" / 8" / 12" / 18"
- Probe Material:** 6mm (± 1/4") AISI 316L stainless steel
- Connection:** 2-pole AWG 22-16 / 0.35 - 1.5mm² spring-loaded, Patent Pending Qwik Connect System VAV-version with AWG 22 plenum rated cable and 1/4" connectors
- Sensor Element:** Interchangeable NTC thermistor, 2-wire
RTD Pt1000, 2-wire
- Sensor Value:** NTC 10KOhm type 2 @ 25°C / 77°F
NTC 10KOhm type 3 @ 25°C / 77°F
NTC 20KOhm @ 25°C / 77°F
NTC 3KOhm @ 25°C / 77°F
RTD Pt1000 10000hm @ 0°C / 32°F
(Other elements on request)
- Accuracy:** NTC thermistor 0...70°C ± 0.2°C / 32...158°F ± 0.36°F
Pt1000 Class B IEC751, ± 0.3°C / ± 0.5°F @ 0°C / 32°F
- Range:** -40...105°C / -40...221°F
- Approval:** CE & RoHS compliant
- Warranty:** 5 year limited warranty
- Accessories:** VAV plenum rated AWG 22 cable with 1/4" connectors 6' / 9' / 12'

Dimensions (in mm)



QwikFLANGE™ Ordering Guide

Part # NTC 10K type 2

- THFA040 Qwik Flange NTC 10K type 2 - 4"
THFA060 Qwik Flange NTC 10K type 2 - 6"
THFA080 Qwik Flange NTC 10K type 2 - 8"
THFA120 Qwik Flange NTC 10K type 2 - 12"
THFA180 Qwik Flange NTC 10K type 2 - 18"

Part # NTC 3K

- THFD040 Qwik Flange NTC 3K - 4"
THFD060 Qwik Flange NTC 3K - 6"
THFD080 Qwik Flange NTC 3K - 8"
THFD120 Qwik Flange NTC 3K - 12"
THFD180 Qwik Flange NTC 3K - 18"

Part # NTC 10K type 3

- THFB040 Qwik Flange NTC 10K type 3 - 4"
THFB060 Qwik Flange NTC 10K type 3 - 6"
THFB080 Qwik Flange NTC 10K type 3 - 8"
THFB120 Qwik Flange NTC 10K type 3 - 12"
THFB180 Qwik Flange NTC 10K type 3 - 18"

Part # Pt1000/B

- THFE040 Qwik Flange Pt1000 - 4"
THFE060 Qwik Flange Pt1000 - 6"
THFE080 Qwik Flange Pt1000 - 8"
THFE120 Qwik Flange Pt1000 - 12"
THFE180 Qwik Flange Pt1000 - 18"

Part # NTC 20K

- THFC040 Qwik Flange NTC 20K - 4"
THFC060 Qwik Flange NTC 20K - 6"
THFC080 Qwik Flange NTC 20K - 8"
THFC120 Qwik Flange NTC 20K - 12"
THFC180 Qwik Flange NTC 20K - 18"

Part# Optional VAV Plenum Rated Cable

- THXVA06 6' Length with 1/4" Connectors
THXVA09 9' Length with 1/4" Connectors
THXVA12 12' Length with 1/4" Connectors

TASSERON™
SENSORS & CONTROLS