

QwikIMMERSION™

Immersion Temperature Sensor

Features:

- Galvanized steel enclosure
- AISI 316L stainless steel temperature probe
- Complete with ½" NPT brass/copper immersion well
- Patent Pending Qwik Connect System eliminates wire nuts
- NTC thermistors and RTD elements available
- Compatible with any Control System
- CE & RoHS compliant
- 5 Year Limited Warranty
- Assembled in USA



Description:

High quality Immersion Temperature Sensor with galvanized steel enclosure and stainless steel AISI 316L probe for both commercial and industrial applications.

Available measuring elements interface with all major control manufacturers. Accurate interchangeable thermistors and RTD's ensure low drift and are double encapsulated to guarantee the highest reliability.

The sensor comes standard with a ½" NPT brass/copper immersion well. Machined stainless steel immersion wells for high pressure applications are available separately. The dual-slotted foamed cover and patent pending Qwik Connect System make installation easy and reduce installation costs.



QwikBox



QwikMini



QwikFLANGE



QwikIMMERSION



QwikOUTDOOR



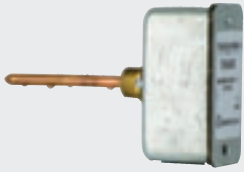
QwikSTRAP



QwikROOM



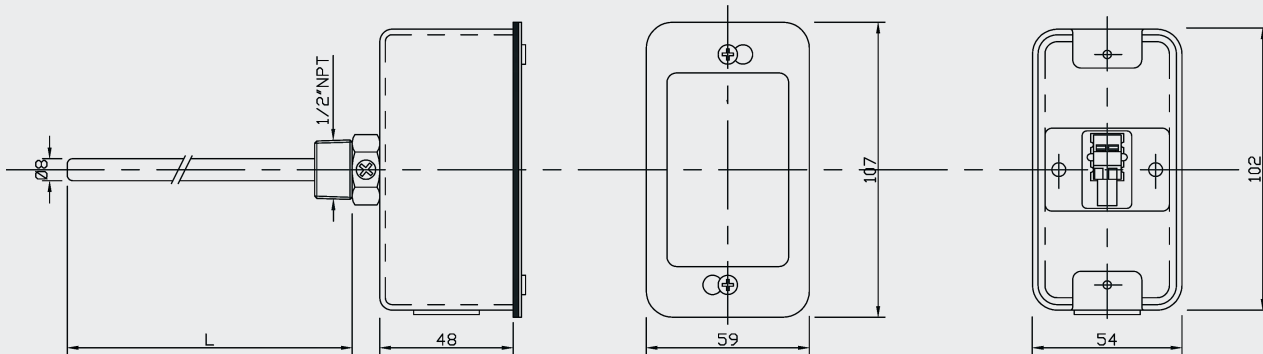
QwikAVERAGE



Specifications:

- Enclosure:** IP40, 18 gauge / 1.2mm galvanized steel (IP54 version on request)
Cover: Dual slotted galvanized steel cover
Mounting: 1/2" NPT brass/copper immersion well included
 (Machined high pressure stainless steel wells on request)
Probe Length: 4" (Other lengths on request)
Probe Material: 6mm ($\pm 1/4"$) AISI 316L stainless steel
- Connection:** 2-pole AWG 22-16 / 0.35 - 1.5mm² spring-loaded, Patent Pending Qwik Connect System
- Sensor Element:** Interchangeable NTC thermistor, 2-wire
 RTD Pt1000, 2-wire
- Sensor Value:** NTC 10KOhm type 2 @ 25°C / 77°F
 NTC 10KOhm type 3 @ 25°C / 77°F
 NTC 20KOhm @ 25°C / 77°F
 NTC 3KOhm @ 25°C / 77°F
 RTD Pt1000 1000Ohm @ 0°C / 32°F
 (other elements on request)
- Accuracy:** NTC thermistor 0...70°C $\pm 0.2^\circ\text{C}$ / 32...158°F $\pm 0.36^\circ\text{F}$
 Pt1000 Class B IEC751, $\pm 0.3^\circ\text{C}$ / $\pm 0.5^\circ\text{F}$ @ 0°C / 32°F
- Range:** -40...125°C / -40...257°F
- Approval:** CE & RoHS compliant
- Warranty:** 5 year limited warranty
- Accessories:** Machined stainless steel immersion wells

Dimensions (in mm)



- | | |
|---------------|---|
| Part # | NTC 10K type 2 |
| THIA040 | Qwik Immersion NTC 10K type 2 - 1/2" NPT brass / copper 4" well |
| | NTC 10K type 3 |
| THIB040 | Qwik Immersion NTC 10K type 3 - 1/2" NPT brass / copper 4" well |
| | NTC 20K |
| THIC040 | Qwik Immersion NTC 20K - 1/2" NPT brass / copper 4" well |
| | NTC 3K |
| THID040 | Qwik Immersion NTC 3K - 1/2" NPT brass / copper 4" well |
| | Pt1000/B |
| THIE040 | Qwik Immersion Pt1000 - 1/2" NPT brass / copper 4" well |

