

BUTTON SENSOR SERIES

THTB-...THHB-...THCB-

PRODUCT INSTALLATION DATA



GENERAL

The Tasseron Button Series is available as a humidity only or combo (THHB-), as CO2 only or combo (THCB-), or as a temperature only (THTB-) sensor with available NTC or RTD passive temperature elements.

All Button Series Housings are available in white or black and are mounted to a ceiling or interior wall through a simple 1.5" hole. Patent Pending compression mounting system makes installing simple, quick and fits ceiling or wall board from 1/4" to 3/4" thick.

Easily concealable, the cap can be painted or wallpapered to fit the décor of the facilities of even the most particular clientele.

Unrestricted airflow to the measuring elements means fast response and accurate measurements of the air in the space.

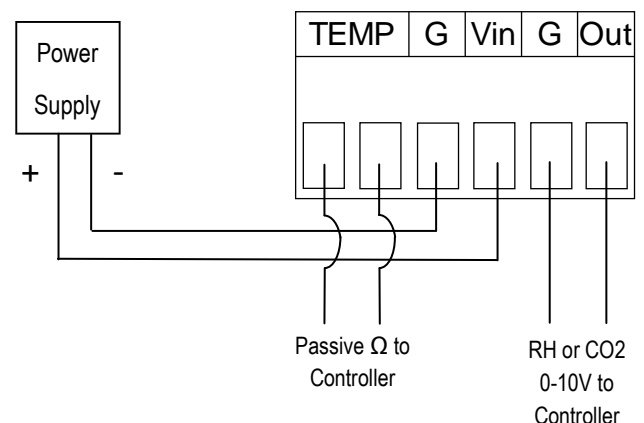
FEATURES

- CO2, CO2+Temp, RH, RH+Temp, and Temp only options
- Very Low profile enclosure with high airflow
- Fast response
- RH Accuracy options of 2% / 3% / 5%
- AC or DC Power Supplies accepted
- Analog 0-10V Output with passive resistance temperature signals
- Compatible with most control systems
- 5 Year limited warranty
- Made in the USA

SPECIFICATIONS

Power supply	24 VAC/DC \pm 20%
Current consumption	3VA for 24VAC, 3W for 24VDC (peak)
Output	Analog 0-10V, Passive Temp
Switching voltage	max. 24VAC/DC
Switching current	max. 1A
Connection	AWG 22-16 / 0.35—1.5mm ² screw-terminals
Wiring	2-wire (Temp only) 3-wire (RH/CO2 only) 5-wire (Combo)
RH Sensor Type	Capacitive, non-condensing
CO2 Sensor Type	NDIR Photoacoustic
Housing material	PC/ABS, UL94 V-2
RH Accuracy	2%/3% versions 10...90% 5% version 0...100%
CO2 Accuracy	\pm 40ppm + 5%
Temp Accuracy	NTC 0...70°C \pm 0.2°C (32...158°F \pm 0.36°F) Pt1K Class B IEC751, \pm 0.3°(0.5°F) @ 0°C (32°F) Ni1K DIN43760, \pm 0.5°(0.9°F) @ 0°C (32°F)
Working conditions	0...+50 °C (32...122 °F)
Storage conditions	-20...+70 °C (-4...+158 °F)
Humidity Measurement	0...100% RH
CO2 Measurement	0...2000ppm
Enclosure	Injection Molded PC/ABS, UL94 V0
Cover	Snap on, PC/ABS, UL94 V0
Approvals	CE / RoHS

WIRING



MOUNTING

For optimum performance, the button sensor should be installed on interior walls. Begin by using a hole saw and drilling a 1 1/2" hole in the wall or ceiling board. Feed cable through hole and make appropriate wire connections. Be sure button sensor is oriented in the correct position with the UP arrow pointing up and, **by hand**, use a phillips head screwdriver to turn mounting screws (A) clockwise until button sensor is secured. Once secure, push cap into housing at the three mounting points (B) until cap clicks into place.

